

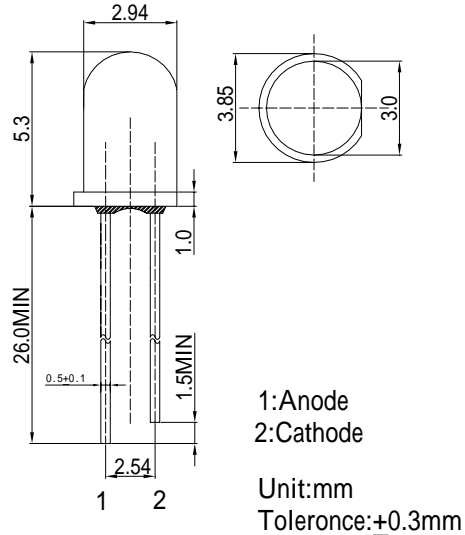
■ **Features**

- High Luminous LEDs
- 3mm Round Standard Directivity
- Superior Weather-resistance
- Flashing Type
- Water Clear Type

■ **Applications**

- Toys
- Games
- Audio
- Other Lighting

■ **Outline Dimension**

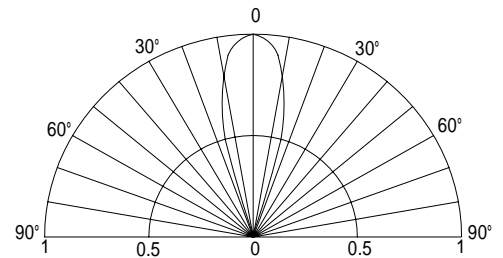


■ **Absolute Maximum Rating**

($T_a=25$)

Item	Symbol	Value	Unit
Power Supply	Voltage	4.5	V
Operating Temperature	T_{opr}	-30 ~ +85	
Storage Temperature	T_{stg}	-40 ~ +100	
Lead Soldering Temperature	T_{sol}	260 /5sec	-

■ **Directivity**



■ **Electrical -Optical Characteristics**

($T_a=25$)

Item	Symbol	Condition	Min.	Typ.	Max.	Unit
DC Forward Voltage	V_{dd}	$I_F=20mA$	3.0	3.3	4.5	V
Oscillator Frequency*	f_{led}	$I_F=20mA$	-	1.8	-	Hz
Duty Cycle	Duty	$I_F=20mA$	-	1/2	-	-
Domi. Wavelength*	λ_D	$I_F=20mA$	600	605	610	nm
Luminous Intensity*	I_v	$I_F=20mA$	4200	5000	-	mcd
50% Power Angle	$2\theta_{1/2}$	$I_F=20mA$	-	30	-	deg

*1 Tolerance of dominant wavelength is +1nm

*2 Tolerance of luminous intensity is ±15%

*3 Tolerance of Frequency is +20%